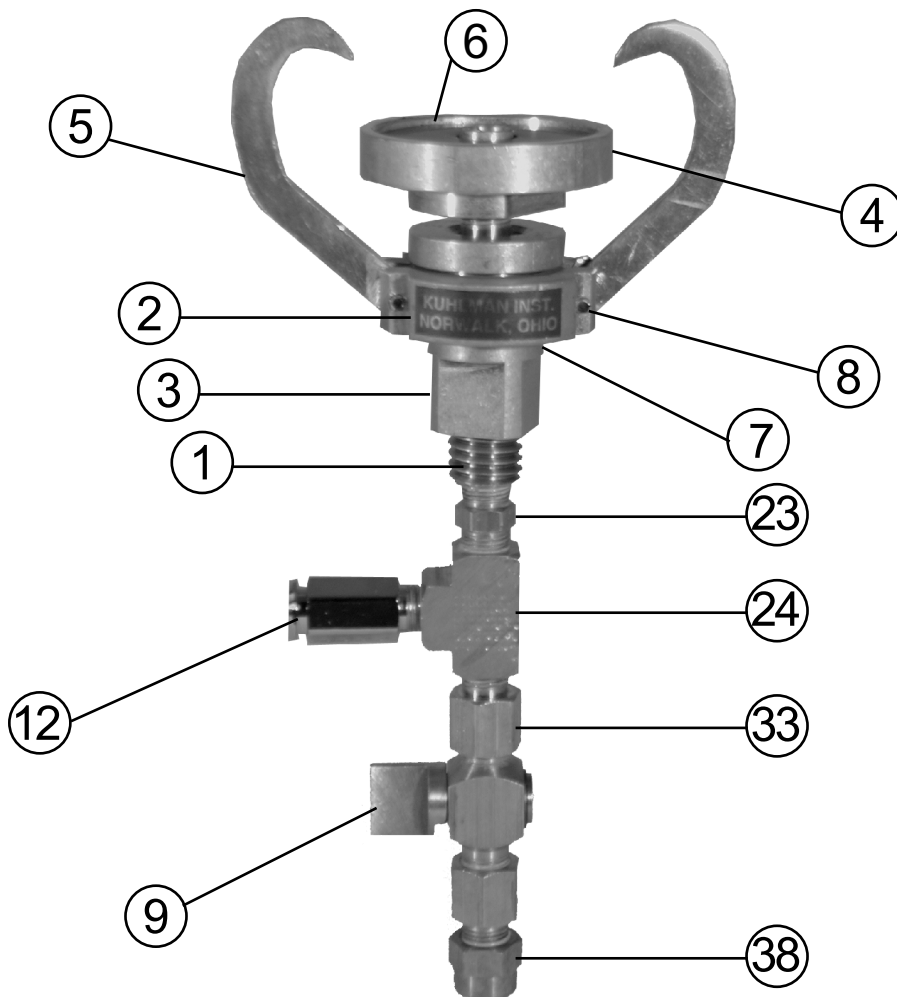




LOCK UP & SET PRESSURE ADAPTER



The Above test fitting can be used to check set pressure by opening the valve. Lock up would be tested with the stop closed. The fitting can be used to test lines at pounds or inches water column. The stop also acts as a safe place to bleed pressure down.

Using Test Fitting

1. Hold adapter with wrench and turn meter ring
2. Attach gauge to adapter
3. Turn gas on at meter stop
4. Open valve on test fitting and get set pressure
5. Turn valve off and you will have lock-up pressure. Watch gauge of leak-through for a short period of time

LOCK UP & SET PRESSURE ADAPTER COMPLETE

\$246.00

1. Threaded Brass Fitting.....\$37.50	8. Roll Pins (two required)@ 1.60 ea. 3.20
2. Spacer for Hooks31.60	9. Tri-Seal Valve41.00
3. Aluminum Tightening Nut.....37.50	12. Quick Disconnect (female) 1/8"18.30
4. Aluminum Fitting for Gasket.....37.50	23. 1/8" Nipple8.45
5. Hooks (two required)@ 10.50 ea. 21.00	24. 1/8" Tee6.50
6. Gasket.....14.00	33. 1/8" Adapter (two required).....@7.60 ea. 15.20
7. Retaining Ring.....3.50	38. Orifice Spud (3/32" size)6.50

Prices effective April 3, 2017
Prices subject to change without notice
STOCK #117

Over 58 Years of Service to Customers

*Manufacturers
of Precision
Instruments*